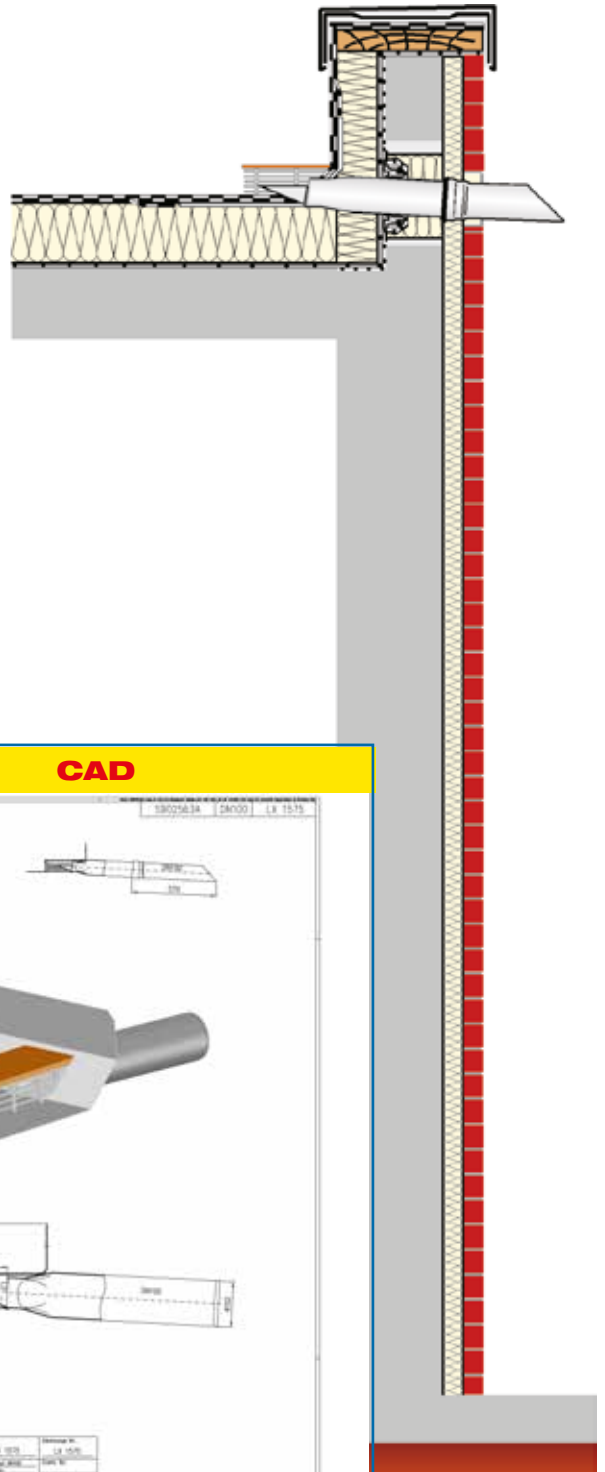


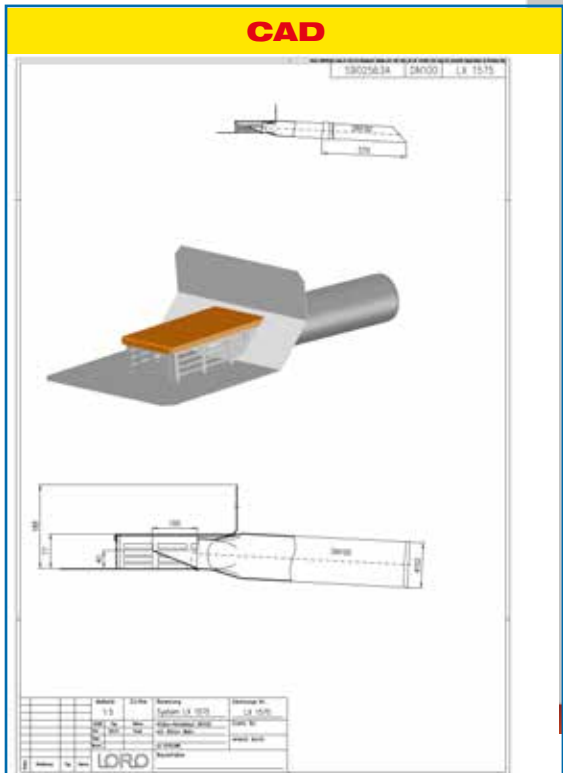
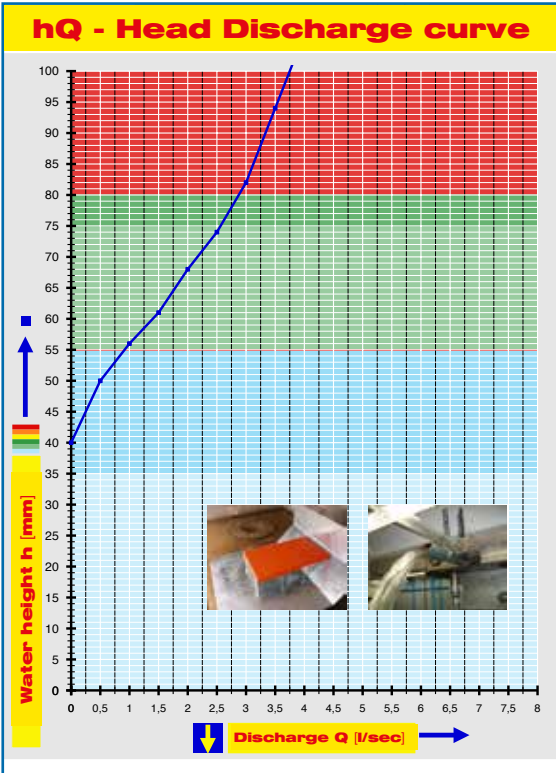
**Specification sheet LX 1575**

**Parapet drainage system  
Series 43 Parapet direct  
for small roof areas,  
weir height 40 mm**

Emergency drainage	
Gravity flow	
Silent	
Discharge rate:	2,5 l/sec
Water height:	75 mm
Roof penetration:	0 mm
Diameter:	DN 100
LX-Number:	LX 1575
Weir height:	40 mm
Drain:	ventilated
Downpipe:	ventilated
Downpipe height:	-
Drainage:	on floor
Flangeform:	Bondging flange



- LX 1575 Piece list**  
**1 x Art.-No. choose drain on page two!**  
 1 x Art.-No. 15199.100X, LORO-X Spout  
 1 x Art.-No. 13235.100X, LORO-X Sliding flange  
 1 x Art.-No. 00911.100X, LORO-X Sealing element  
 1 x Art.-No. 00986.000X, LORO-X Lubricant



**Systemshape**

**Systemform**

<b>Water height</b>	mm	5	10	15	20	25	30	35	40	45	50	55	60	65	70	75
<b>Discharge</b>	l/sec										0,5	0,9	1,4	1,8	2,2	2,5
<b>Silent</b>																

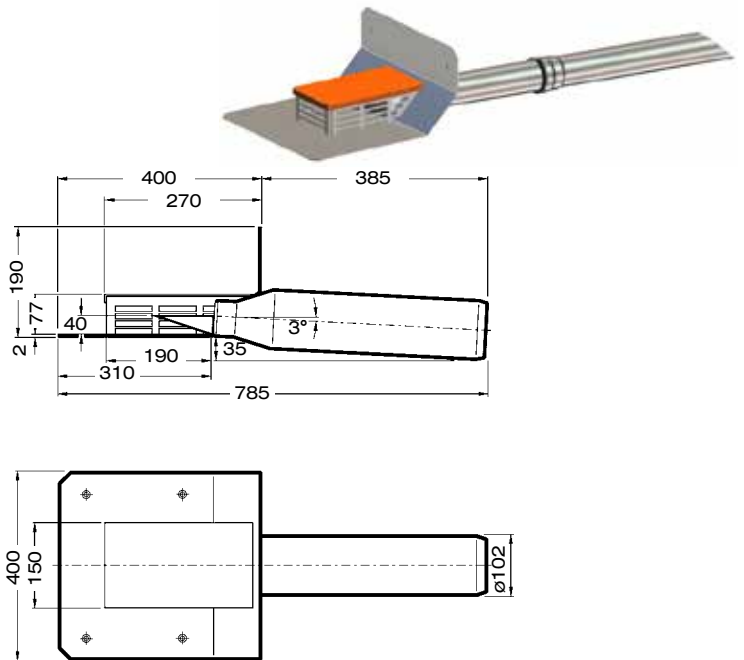
Chosse drain for piece list on page one!

DN 100

**LX1575-3X**

**Series 43**  
 Drain Art.-No. 01325.100X  
 Weight: 5,4 kg

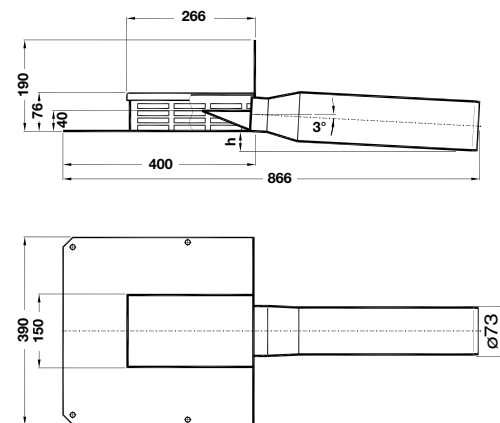
for bituminous roofing sheets  
**Weir height 40 mm**



**LX1575-21X**

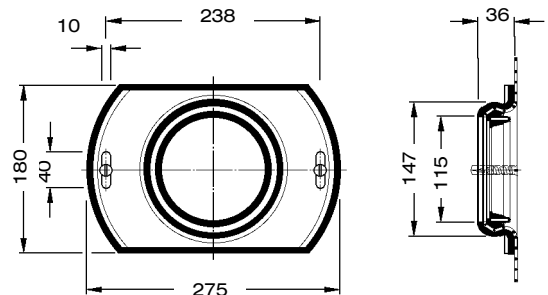
**Series 43**  
 Drain Art.-No. 01329.100X  
 Weight: 6,9 kg

**with bonding flange 90°**  
 for liquid plastic  
**40 mm weir height**



**LORO-X Sliding flange**

with pre-installed connection sleeve for vapor barrier made of bituminous or plastic-roofing sheets (please indicate manufacturer and material of the sealing sheet to be attached), made of galvanized steel, including fastening screws  
 Art.-No 13235.100X  
 Weight: 1,7 kg



**Heat tracing:** Lorowerk recommends to check all drains and pipes with regard to their frost-sensibility. Where necessary, these parts should be upgraded with heat tracing.